

Usage and maintenance manual for the fall arrester system of the Söll GlideLoc® type with a guided type fall arrester

“Söll Comfort²”

Order No. 23331

in accordance with EN 353-1:2002 / CNB/P/11.073

Serial number: _____

Date of purchase: _____

(The initial test is done by the manufacturer before shipment.
The yearly inspections have to be documented in the inspection logbook.)

The user must fill in the following details using an indelible pen:

Date of commissioning: _____

Operating company/user: _____

Street: _____

Location: _____

Tel.: _____ Fax: _____



Contents

	Page	
A	General information	3
B	Inspection before climbing	4
C	Using the fall arrester	5
D	Removing the fall arrester	8
E	Maintenance	9
F	Care	14
G	Storage	14
H	Inspection logbook	15

This manual is protected by copyright.

Duplicating and circulating this manual is not permitted without written consent of the author as per §§16, 17 German Copyright Act (UrhG), and Honeywell Fall Protection Deutschland GmbH & Co. KG reserves the right to prosecute as per § 106 German Copyright Act (UrhG) in case of any violation.

Changes in this edition: points A1.-A4.,A7.,A9.,B4.-B6.,C2.,E3.,
E Checklist,H Inspection logbook

A General information

- A 1. Read this manual and understand its contents before usage. Actions contravening this manual may put people's lives at risk.
- A 2. For the users' safety, it is important that the retailer provides this manual in respective country's language if this system is re-sold in another country.
- A 3. The maximum user load (including the clothing and equipment) may not exceed 140 kg.

Operating temperature for the fall protection system: -40 °C to +70 °C

- A 4. A safety distance of 3.0 m between the users must not be undershot.
- A 5. The "regulations for using personal protective equipment against falls from a height", i.e. BGR 198, of the Institute for statutory accident insurance and prevention as well as the rules for using personal protective equipment for holding and rescuing, i.e. BGR 199, must be observed.
- A 6. The "Söll-Comfort" fall arrester is component of the Söll fall protection system with a fixed guide of the Söll GlideLoc® type compliant with EN 353/Part 1 and has been designed for use as personal protective equipment only for the intended use of the Söll fall protection system. The operating company of the fall arrester system must suitably ensure that the full body harness and the fall arrester belong to the user and that they are used according to the instructions. After use, the fall arrester must not be left inside the fall protection system.

The Söll Comfort fall arrester must be operated only in the original Söll fall arrester systems that have the Söll GlideLoc® type EG-test certificate. Using systems of other manufacturers may hamper the functioning of the fall arrester.

In such cases Honeywell Fall Protection Deutschland GmbH & Co. KG and its authorised dealers refuse product liability. **The operating company shall then be completely responsible.**

- A 7. Full body harnesses must be approved in accordance with EN 361. Only certified arrester elements (marking with “A”) may be used.

Note:

The fall arrester Comfort must always be connected with the certified arrester element of the harness.

- A 8. The fall arrester should always be handled in a manner that will protect it from damage or corrosion.
- A 9. Relevant notified body: DEKRA EXAM GmbH, Dinnendahlstr. 9, D-44809 Bochum, CE 0158.

B Inspection before climbing

- B 1. Before using the guide, the fall arrester, intermediate joint and karabiner hooks, always check their usage capability and correct functioning. (See the Maintenance check list for this purpose).
- B 2. Do not use the fall arrester system if there are apparent defects or doubts regarding the safety of the system. Do not use it until an expert approves it for further use. Send the system components back to the manufacturer if required.
- B 3. Before and while climbing, ensure safe and effective implementation of rescue measures.
- B 4. The user must be in good health and must not be under the influence of alcohol, drugs or medicines.
- B 5. **Note:**
Utmost care must be taken when ascending and descending in the first 2 m of the ascent route since it may not be possible to prevent the user from hitting the ground in some cases.
- B 6. **Warning:**
The specific influence of the arresting mechanism when ascending and descending may hamper the safe functioning of the fall arrester.

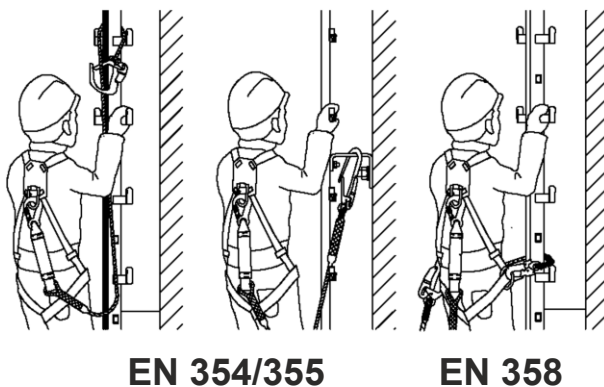
C Using the fall arrester

Figure 1

Warning

- C 1. The fall arrester system and the full body harness secure the users against falling when ascending or descending. When working in or next to the ascent route and when executing tasks and actions that are not a part of the usual ascent and descent movements, the climber must additionally secure himself/herself with a lanyard in accordance with EN 354 or a lanyard for the working positioning belts in accordance with EN 358. (Safety using an anchor device) This is also applicable for positions that are intended to take a break on the ladder. Only suitable anchor devices such as a mounting bracket must be used for this. In all these situations, the lanyard must be held tight in order to prevent a fall (see figure 1).

Figure 1



An EN 353-1 compliant fall arrester system should be used only by those persons who

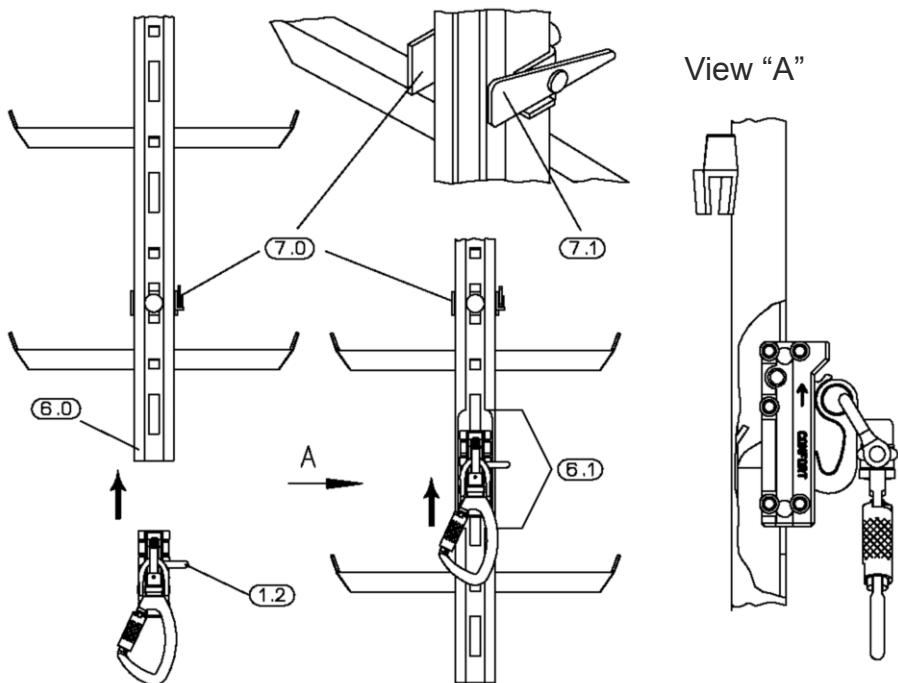
- are trained and/or are otherwise competent or
- are directly supervised by a trained and/or a competent person.

Figure 2

C 2. Push the fall arrester into the lower end of the anchorage rail (6.0) or in the recess (6.1) (that must always be provided at the stomach height or deeper) (**see view “A”**). The laterally protruding locking pin (1.2) must be on the right side and the engraved arrow (1.7) on the side of the fall arrester must point upwards.

The locking pin (1.2) and the end stop (7.0) prevent the incorrect use of the fall arrester and unintended slipping from the anchorage rail.

Figure 2



Warning:

Crossing the end stop is allowed only

- in the areas **without** the risk of a fall from heights or
- if the safety against falls from heights is ensured using other means.

Figure 3

C 3. Open the karabiner hook (4.0) on the fall arrester. **Turn back** the knurled bushing (4.1) **and push it inwards**. Attach it directly to the front arrester element of the full body harness.

Attention!

An unsecured karabiner hook (open knurled bushing) is dangerous to human life.

Figure 3

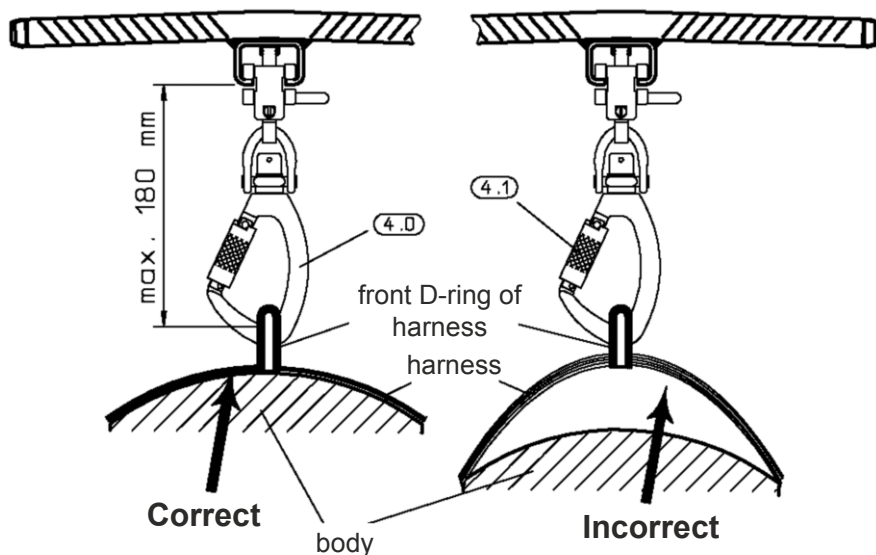
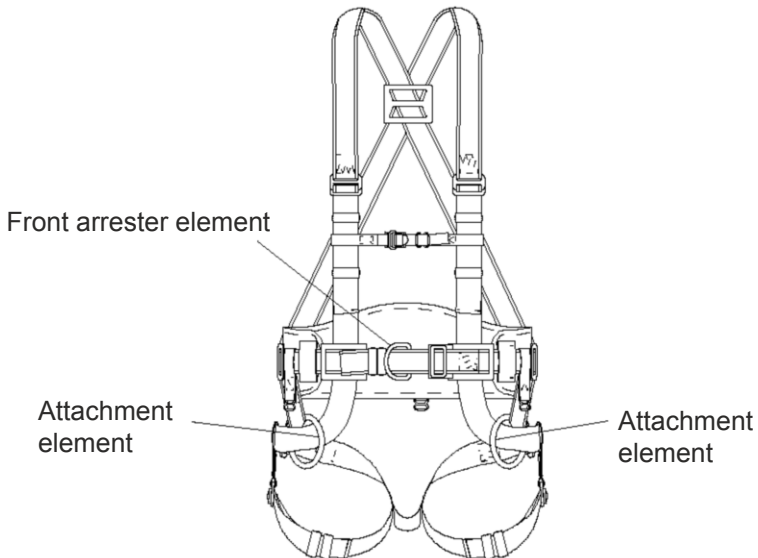


Figure 4

Warning: Risk to life!

The karabiner hook of the fall arrester **must be directly inserted** into the front arrester element (marking with "A") of the full body harness **for the vertical and horizontal usage in compliance with EN 353/1**. The length between the outer edge of the anchorage rail and the internally bent eyelet on the harness may not exceed 180 mm (see Figure 3).

Figure 4



- C 4. The stomach or chest harness of the full body harness must fit firmly on the body (see Figure 3)**
- C 5.** The ladder can now be used. When descending, the latch (Figure 6 / Detail 2.0) of the fall arrester must be unlocked. Two options are available for this:
- a) The user can lean backwards and unlock the latch
 - b) If the user goes near the ladder, the fall arrester suspends downwards. The latch is unlocked due to the weight of the fall arrester.

D Removing the fall arrester from the anchorage rail

Warning:

Protection against falls from heights must be ensured using a different method before removing the fall arrester from the anchorage rail.

- D 1. To remove the fall arrester from the anchorage rail, the corresponding end stop (Figure 2 / detail 7.0) must be crossed. For this, fold the locking latch (Figure 2 / detail 7.1) of the end stop upwards/downwards.

When using an exit section, observe its valid operating manual.

E Maintenance

- E 1. A fall arrester system damaged due to a fall must be used again only after testing by an expert. The fall arrester and **the manual** must be sent to the manufacturer's workshop for checking and maintenance.
- E 2. Depending on the application and operating conditions, an expert must check the fall arrester system for its flawless condition as required, however at least once a year.

An expert for the personal protective equipment is:

A person who can has a certificate for successfully participating in a course compliant with the "fundamental principles for selecting and training the experts in the field of personal protective equipment against falls from a height and certifying their qualification", i.e. BGG 906.

- E 3. **Expert test** (also see Figure 6 for this)

Use the "**maintenance check list**" for the expert test.

An expert can rectify the following defects:

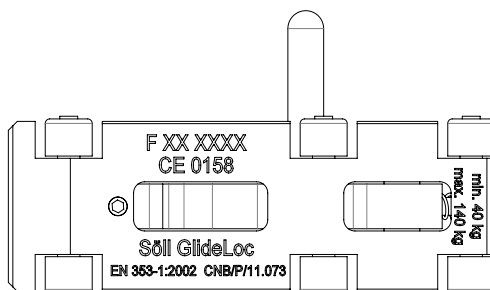
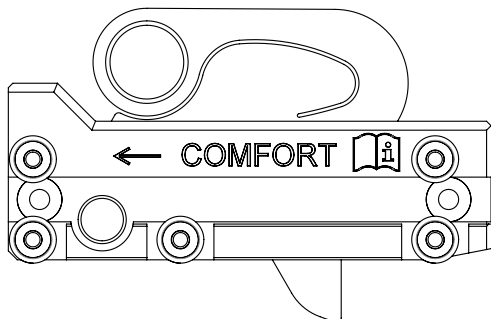
- Removing dirt (concrete, mortar, colour, etc.) on the body and running surfaces
- Cleaning the labels
- Replacing the stickers


In case of dirt inside the shuttle and defects that necessitate partial dismantling of components, the shuttle must be sent to the manufacturer's workshop with suitable notification (and with **the manual**) to rectify the defects. This process must be recorded in the annexe of the check list (space for comments).

Owing to safety reasons, repairs may be carried out only the manufacturer's workshop.

Figure 5
Example of marking:

Figure 5



Year of manufacture	- F XX
Serial number	- XXXX
CE 0158	- monitoring testing agency
	- Note for reading the operating manual
Söll GlideLoc	- type designation of the fall arrester system
EN 353-1:2002	- reference to the European standard
CNB/P/11.073	- reference to additional test regulations
min. 40 kg max. 140 kg	- minimum/maximum weight of the user

Once the expert ensures that the maintenance is **fault-free**, he/she can affix a test label on the fall arrester.

Maintenance check list (see Figure 6 for this)

Body (1.0)

- Free from colour/mortar/concrete/dirt, etc.
- The marking (1.6) on the lower side must be clearly legible
- The locking pin (1.2) fits firmly and is not bent (check by turning it)
- Running surfaces (1.1) must be clean
- Sliding pieces (1.4) must be available *
- Sliding pieces (1.4) must not be worn out *
- Engraved arrow (1.7) can be easily identified

Latch (2.0)

- It must move freely
- It must not be deformed (2.2), maximum 57 mm
- Interception catch length (2.1) 14.0 mm +1.0/-0.5 mm

Running rollers (1.3), total 10 units

- They must rotate freely (concentricity)
- They must not be damaged
- They must fit firmly on the axle
- The minimum diameter of running rollers must be 9 mm

Compression springs (1.5)

- They must be free from rust
- They must be free from dirt, concrete, colour, etc.
- They must not be broken
- They must not slip

* not relevant for safety

Rotary shackle (3.0)

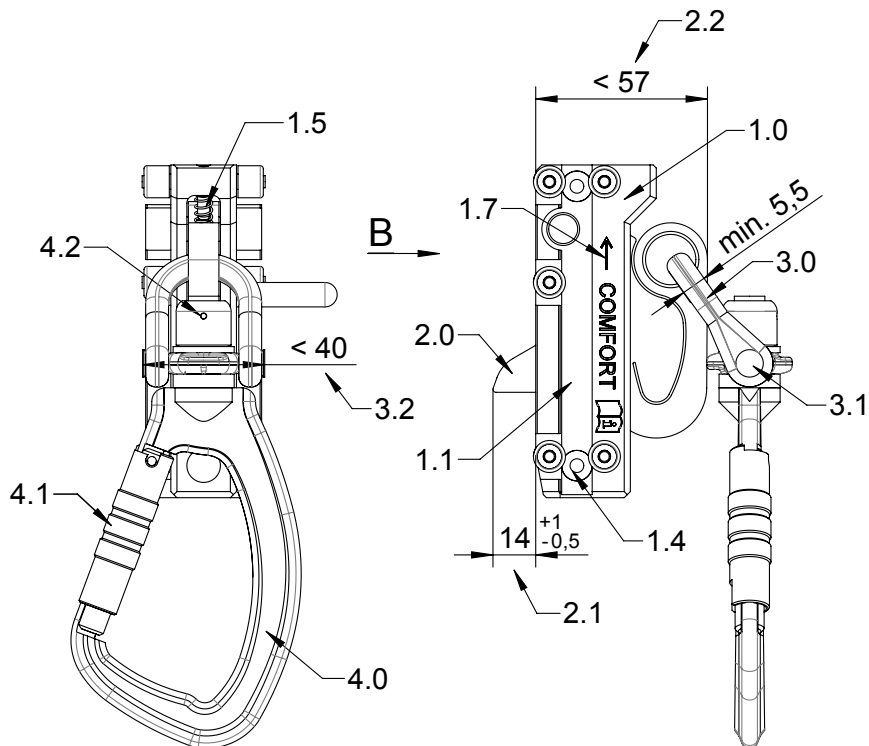
- It can be moved
- It must not be broken
- It must not have cracks
- The thickness of the rotary shackle (3.0) must be at least 5.5 mm
- The shackle axle (3.1) is riveted
- The maximum outer dimension of shackle pin eyelets (3.2) must be 40 mm

Karabiner hook (4.0)

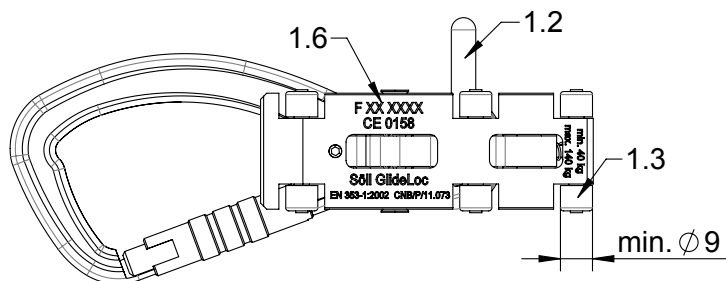
- It must not be bent
- It must not have cracks
- It must not be broken
- The knurled bushing (4.1) must not be damaged
- It must be possible to open the knurled bushing (4.1) easily
- The knurled bushing (4.1) must close and lock automatically after opening and releasing
- The locking pin (4.2) must be available

Space for comments:

Figure 6



View "B"



F Care

F 1. Wash the entire fall arrester with water and dry it using a suction cloth. Do not use heat sources for drying.

DO NOT wash it with a quick cleaner, thinner or degreaser containing trichloroethane. **Do not use grease.**

F 2. Running rollers (Figure 6 / detail 1.3) have plain bearings and have been lubricated in the factory.

F 3. Lubricate the rotary shackle (Figure 6 / detail 3.0) slightly.

F 4. Lubricate the knurled bushing (Figure 6 / detail 4.1) if required.

F 5. **Attention!** Do not bring the fall arrester in contact with chemicals.

G Storage

The fall arrester should be kept clean and as dry and dust-free as possible, and should not be stored near heat sources.

When transporting ensure that the fall arrester is protected from damage.

